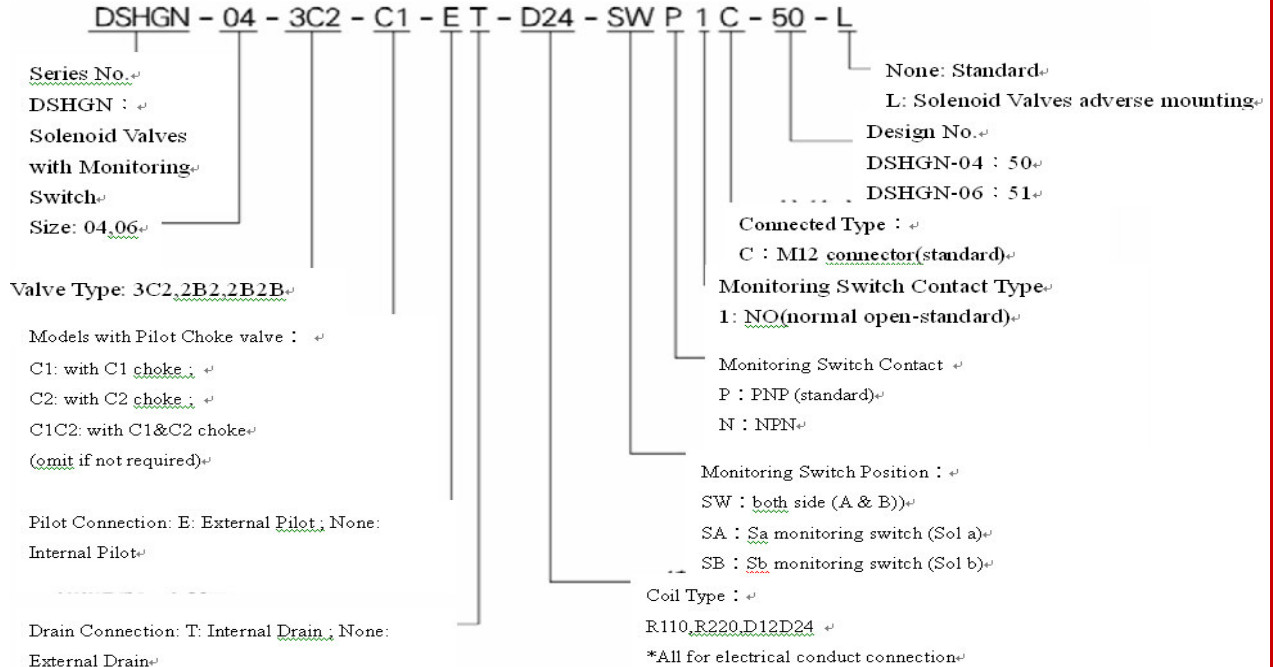


- It can monitor the spool position shifting correctly.
- It is adopted with non-contact parts and zero-torn part with long-life.
- It can choose for PNP or NPN contact.
- It can directly check the function with little hysteresis.
- No any special demand for the water of Hydraulic fluid and contamination.
- Dust-proof and water-proof level is IP65.
- It can not be interfered by outside magnetic field.

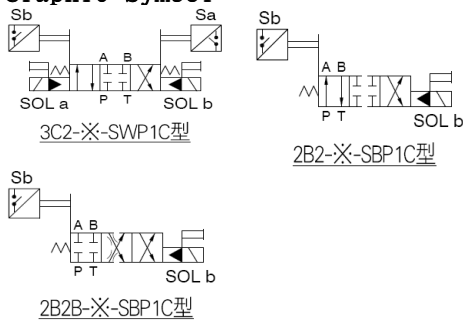
Model Number Designation :



1. Flow rate is as same as DSHG-04--50 valves, please contact sales engineers for your requirement for other type valves.

*2. The monitoring switch (Sa) of SOL a is at A port.
The monitoring switch (Sb) of SOL b is at B port.

Graphic Symbol :



Switch M12 Connector with Wire : (Options)

Wire Model No.	Model No.	Remark
M124R-PUR-2M (straight type)	DSHGn-04-	2M: 2M(oil resistance cables)
M124RL-PUR-2M (90° type)	DSHGn-06-	

Mounting Bolts : (Attachment)

Item	Socket Head Cap Screw	Tightening Torque
DSHGn-04	M6x45L 2 pcs	11.8~14.7 Nm
	M10x50L 4 pcs	57.9~71.6 Nm
DSHGn-06	M12x60L 6 pcs	100~122.6 Nm

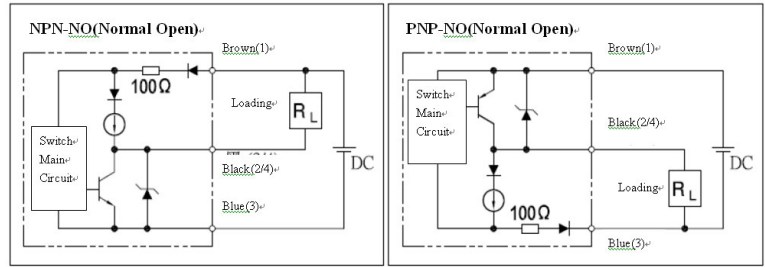
Rating : For the flow and pressure details, please refer to DSHG - ※catalogs.

Model No.	Max. Flow L/min	Max. Pressure MPa	Max. T-line Back Pressure MPa	Max. Changeover Frequency cycle/min	Mass Kg		
					SW	SA	SB
DSHGn-04-3C2-※-50	300	25	21 (Internal Drain Type : 16)	120	10.2	9.6	9.6
DSHGn-04-2B2B-※-50(-L)					9.7	9.0	9.0
DSHGn-04-2B2-※-50(-L)					10.1	9.4	9.5
DSHGn-06-3C2-※-51	500	25	21 (Internal Drain Type : 16)	120	15.0	13.9	13.9
DSHGn-06-2B2B-※-51(-L)					14.4	13.3	13.3
DSHGn-06-2B2-※-51(-L)					15.1	14.3	14.0

DSHGN(Solenoid Valves with Monitoring Switch) Max. Pressure 25MPa

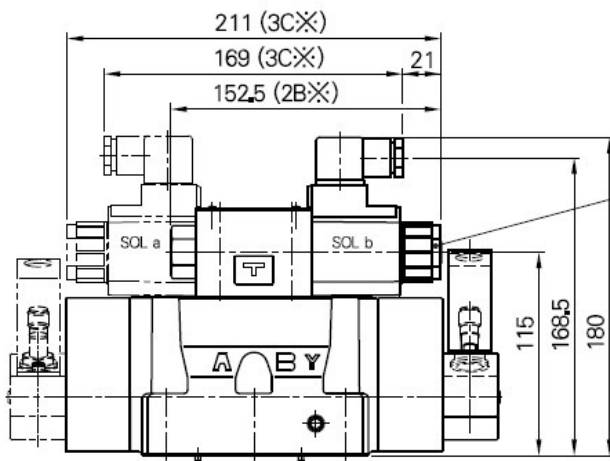
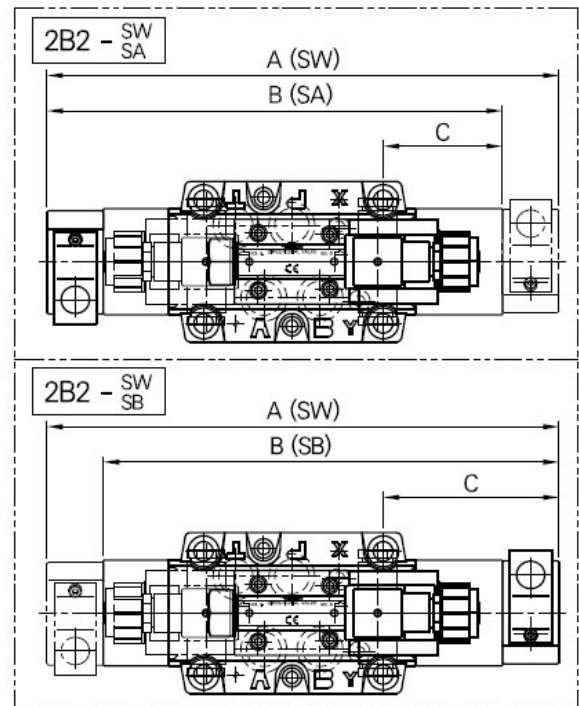
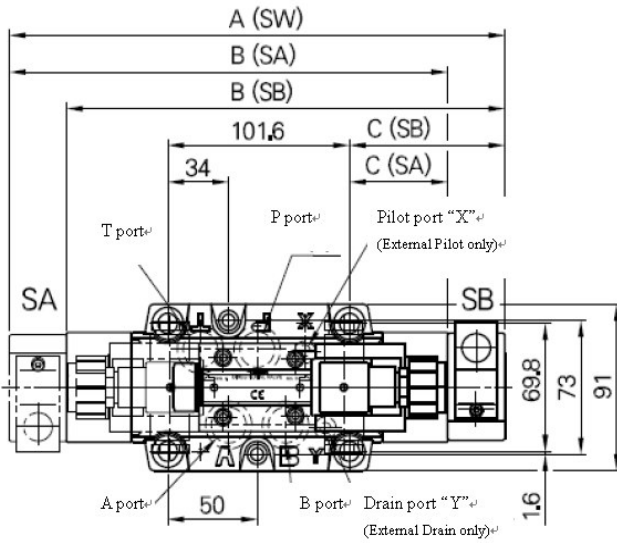
Monitoring Switch and Wiring Diagrams :

Item	Specification
Supply Voltage Range	12~24 VDC
Max. Output Current	200 mA
Switch Frequency	1.5 kHz
Ambient Temp. Range	-40~85°C
Degree of Protection	IP67



DSHGN-04 :

3C2 - SW / SA / SB
2B2B

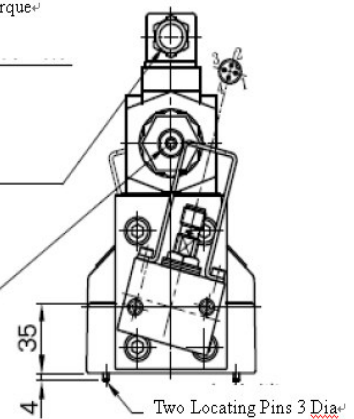


Lock Nut Tightening Torque
(10~12 N·m)

Adaptor 27 Hex
Cable Departure
Outside Dia. 8-10 mm

Conductor Area
Not exceeding 1.5mm²
Manual Actuator

6 Dia (Both Ends)



Item	A		B		C	
	SW	SA	SB	SA	SB	
DSHGN-04-3C2-	277	240.5	240.5	50.4	87.5	
DSHGN-04-2B2B-	277	240.5	240.5	50.4	87.5	
DSHGN-04-2B2-	289.5	253	253	62.9	99.4	

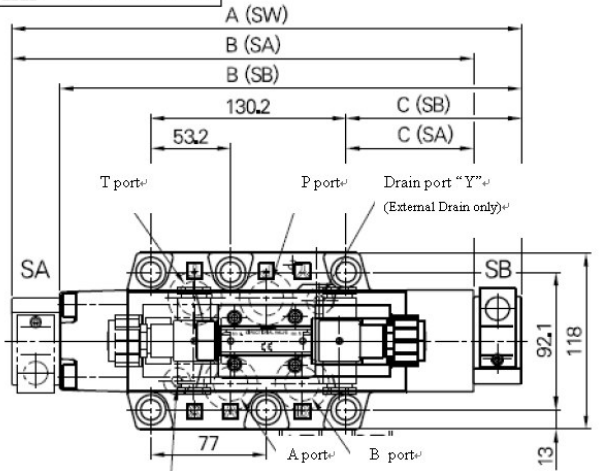
Mounting Surface :

DSHGN-04 : ISO 4401-AD-07-4-A-80

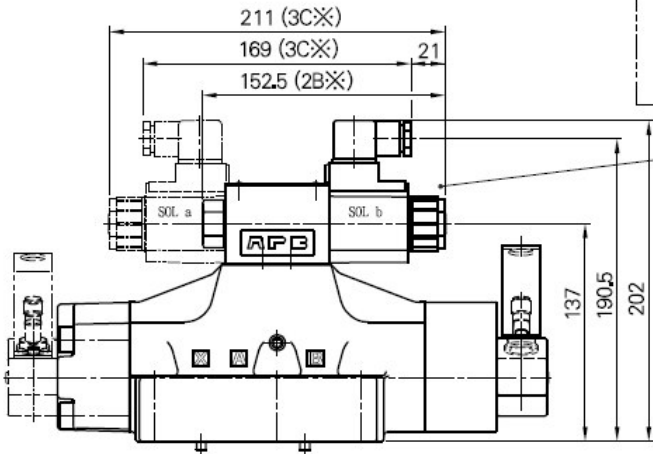
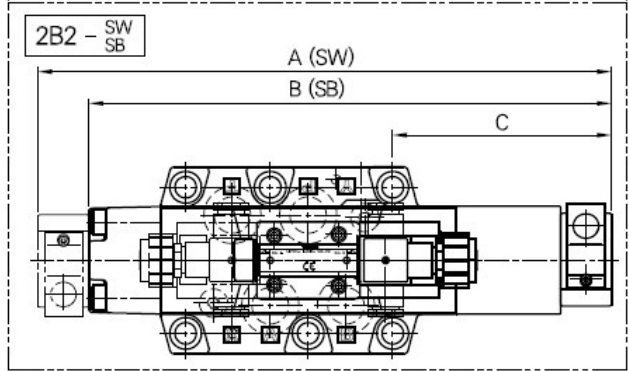
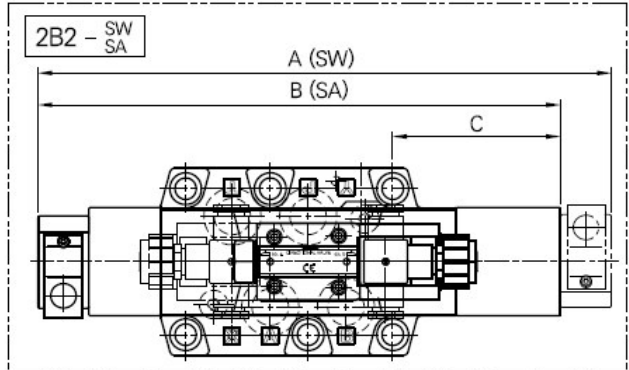
DSHGN(Solenoid Valves with Monitoring Switch) Max. Pressure 25MPa

DSHGN-06 :

3C2
2B2B - SW / SA / SB



Pilot port "X"
(External Pilot only)

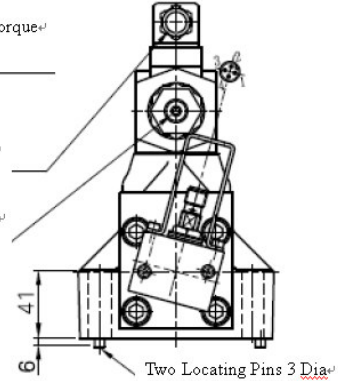


Lock Nut Tightening Torque
(10~12 N · m)

Adaptor 27 Hex
Cable Departure
Outside Dia. 8-10 mm

Conductor Area
Not exceeding 1.5mm²
Manual Actuator

6 Dia (Both Ends)



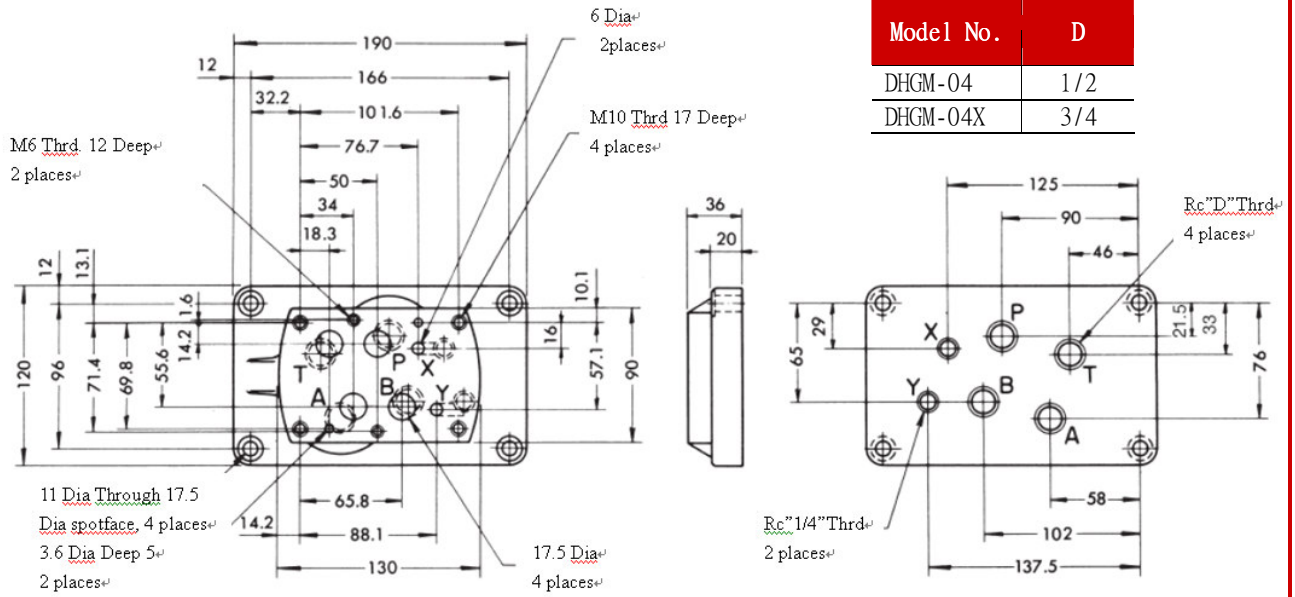
Item	A		B		C	
	SW	SA	SB	SA	SB	
DSHGS-06-3C2-	340	297.5	297.5	74.5	117.5	
DSHGS-06-2B2B-	340	297.5	297.5	74.5	117.5	
DSHGS-06-2B2-	360.5	318.5	318	95.5	137.5	

Mounting Surface :

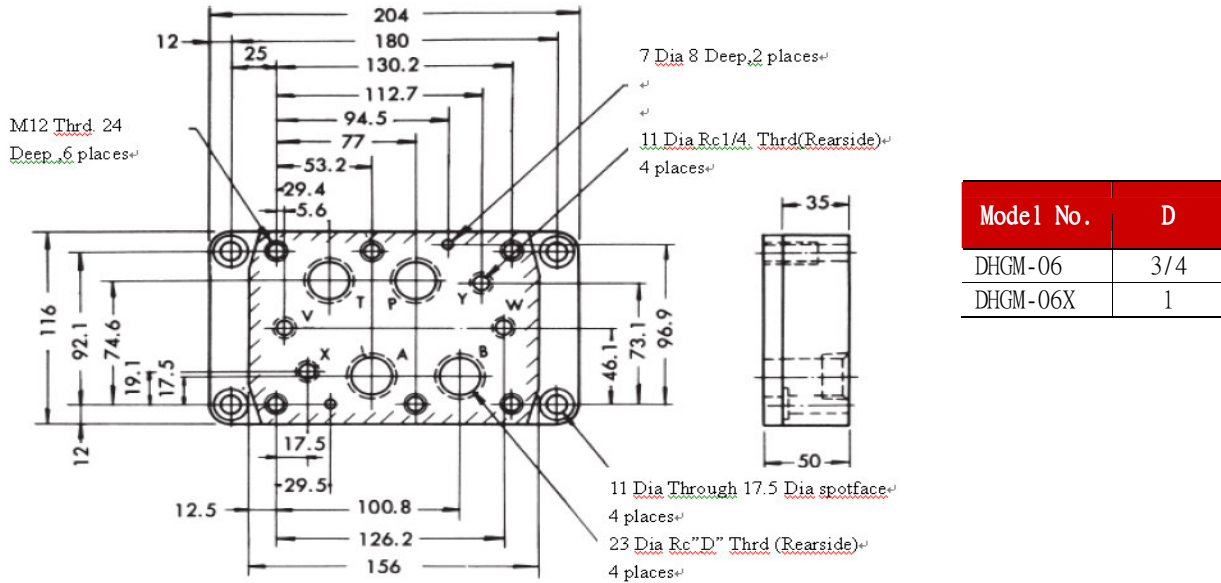
DSHGN-06 : ISO 4401-AE-08-4-A-80

DSHGN(Solenoid Valves with Monitoring Switch) Max. Pressure 25MPa

Sub-plate : DHGM-04,04X



Sub-plate : DHGM-06,06X



YUKEN HYDRAULICS(T.W)CO.,LTD

NO.12 7TH RD., TAICHUNG INDUSTRIAL PARK,TAICHUNG, TAIWAN, R.O.C

TEL : +886-4-2359-3077 FAX : +886-4-2359-8813